

EBAJA

OCTAVIO DURAN – BUDGET LIASON

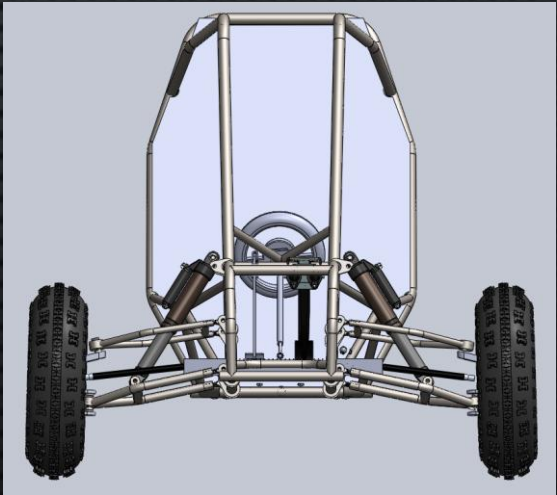
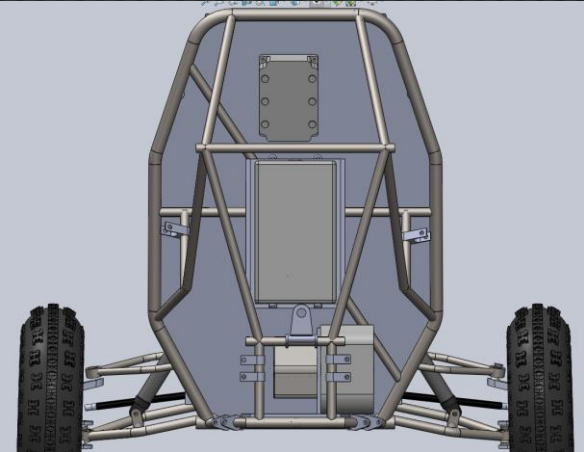
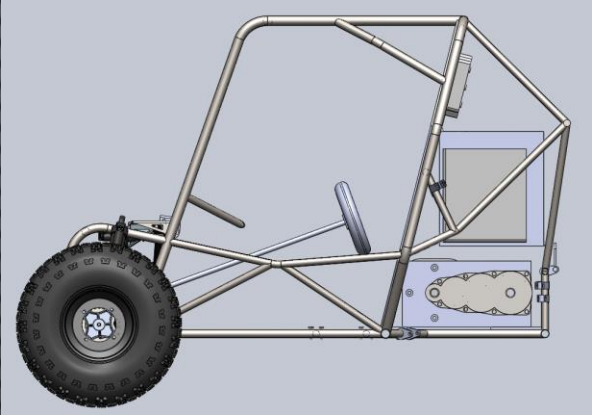
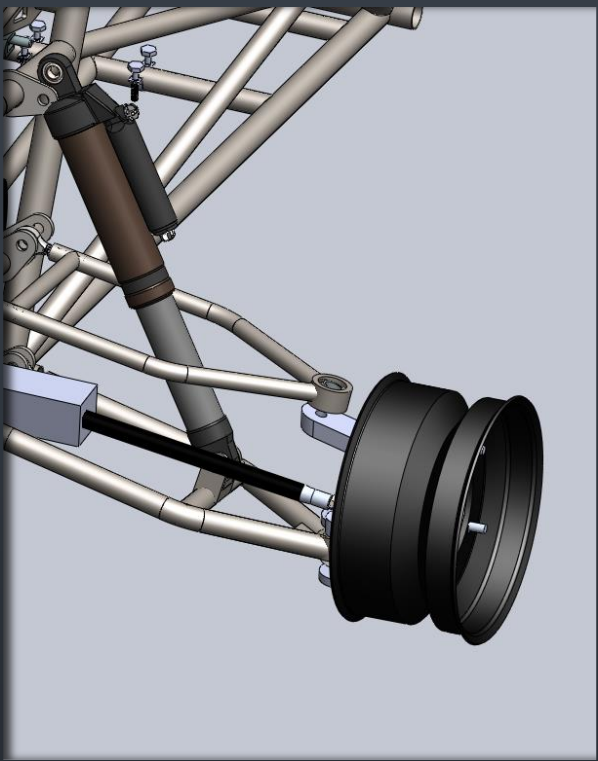
BRENDON JAMESON - CAD / MANUFACTURING ENGINEER

BENJAMIN PLIS - TEST ENGINEER

ABRIANA ROMERO - PROJECT MANAGER

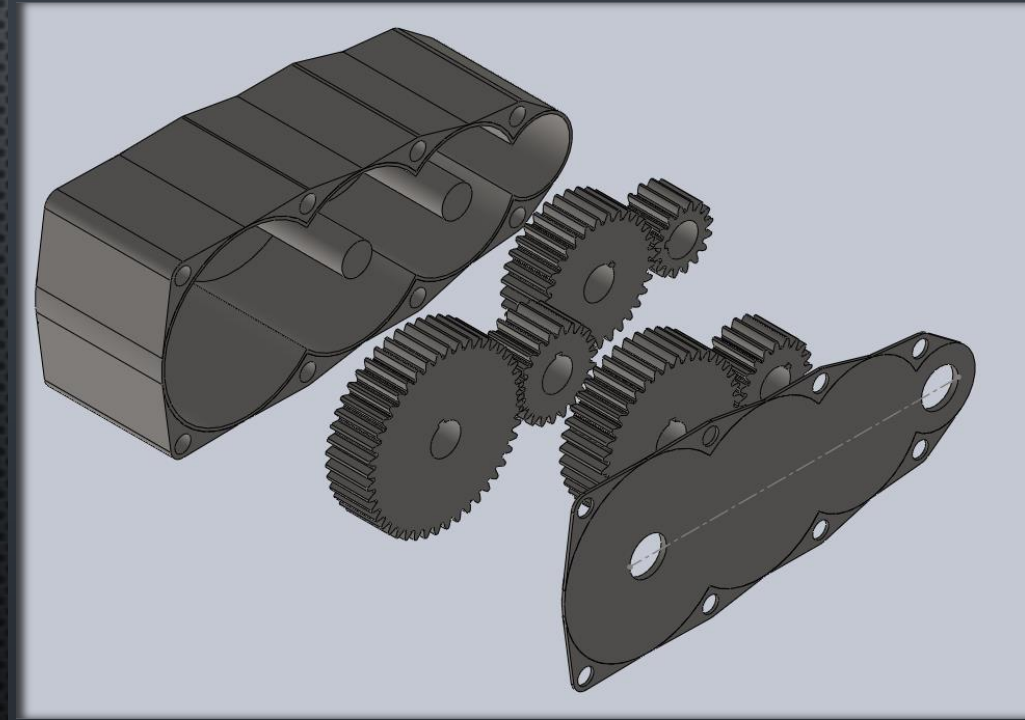
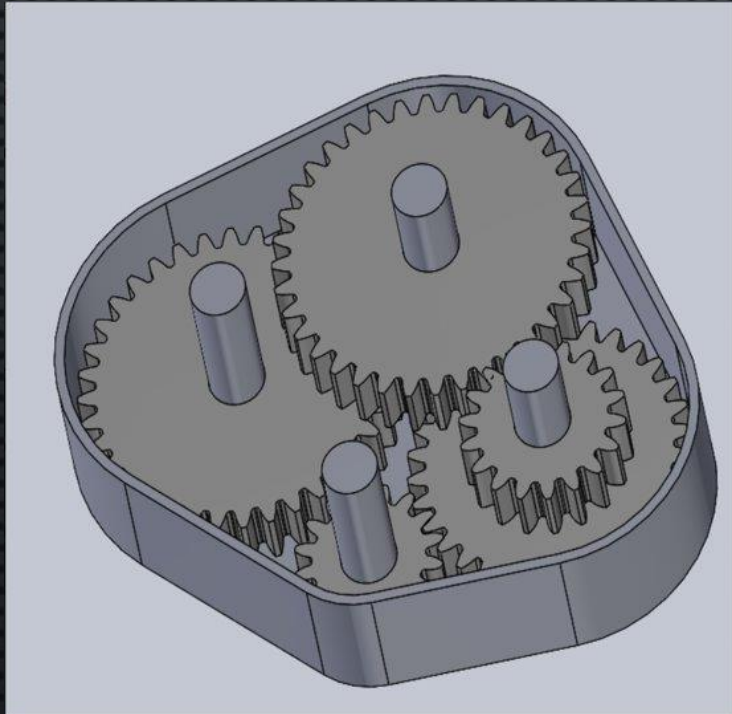
JARED WALKER - LOGISTICS

DESIGN EFFORTS

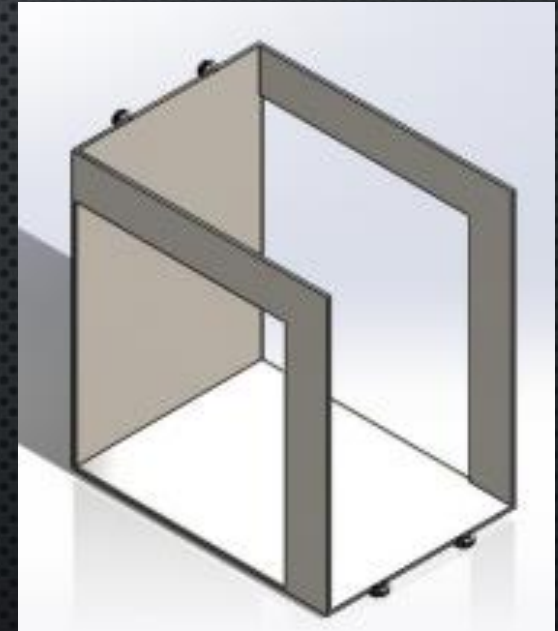
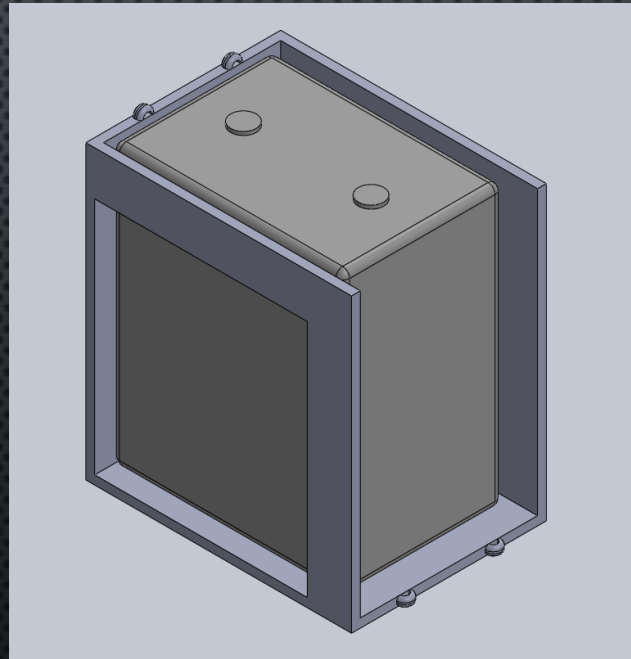
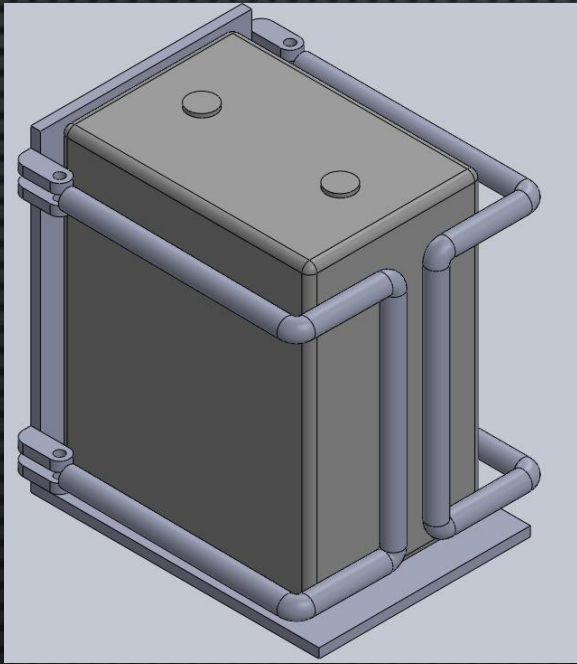


Jared Walker
21F13 02/08/22

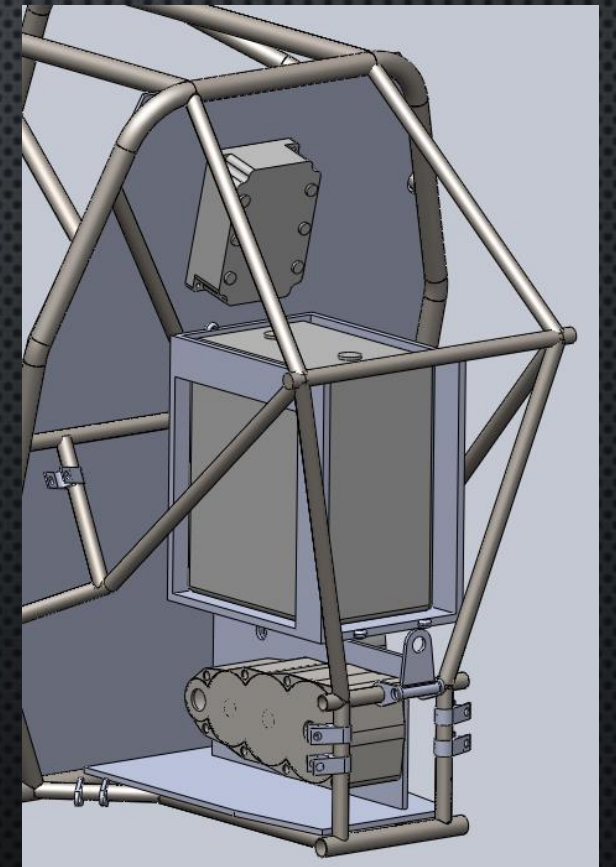
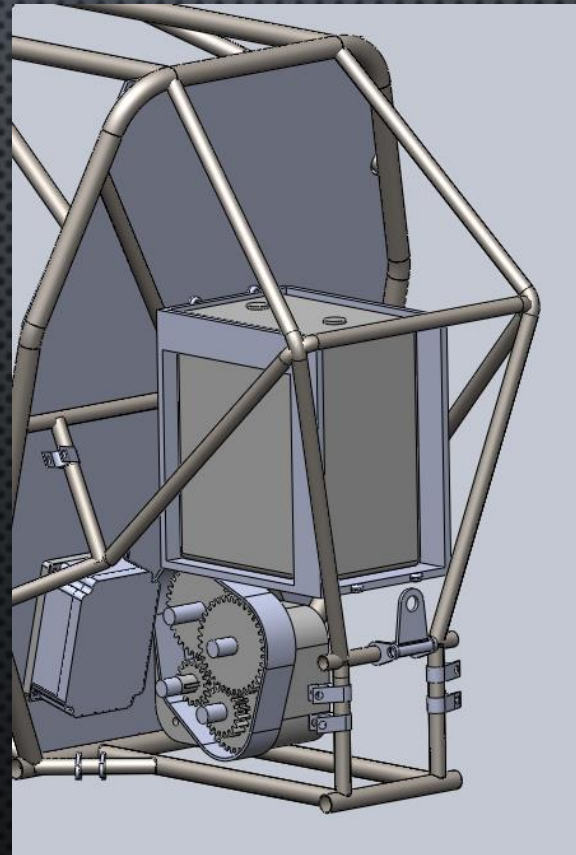
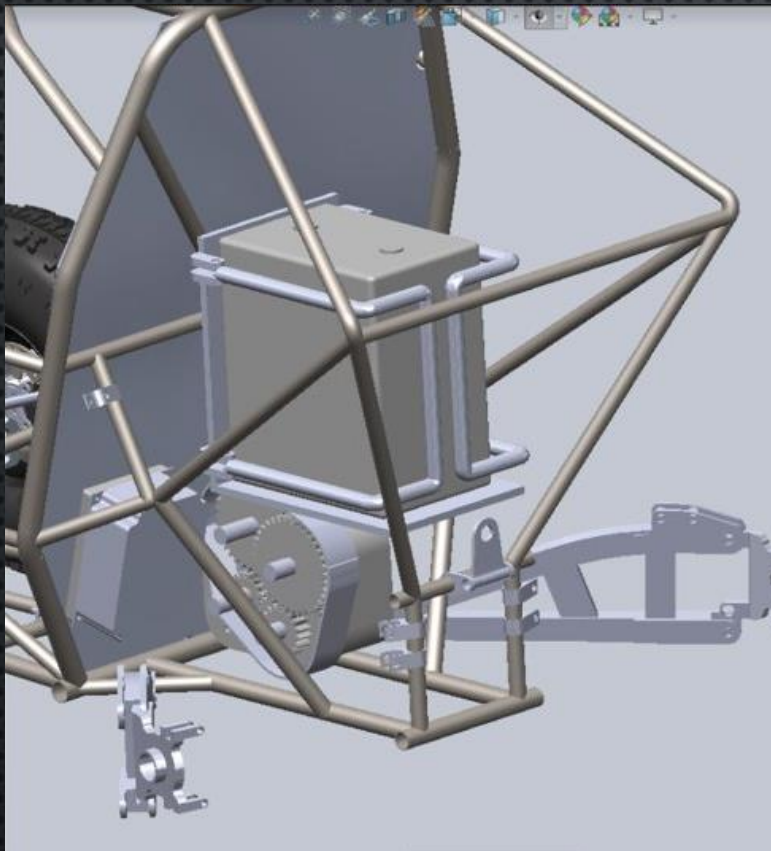
DESIGN ITERATION (GEARBOX)



DESIGN ITERATION (BATTERY CASING)



DESIGN EFFORTS (FRAME)



PURCHASING PLAN

Budget: \$3,000

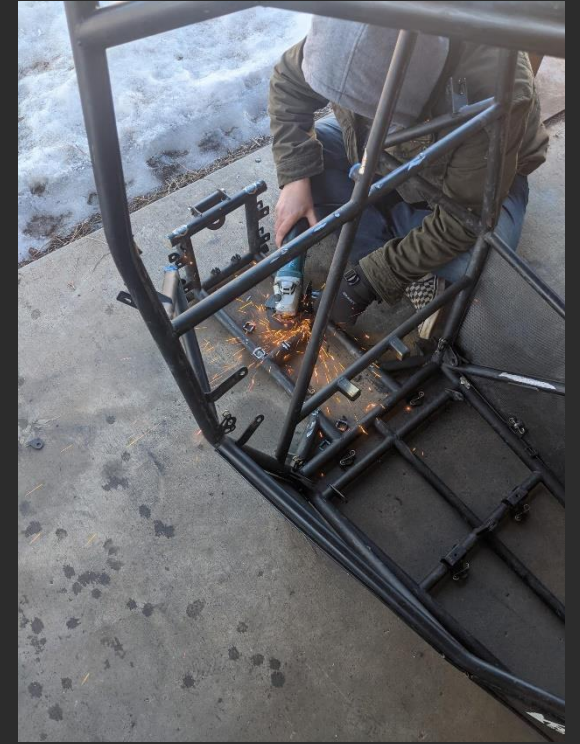
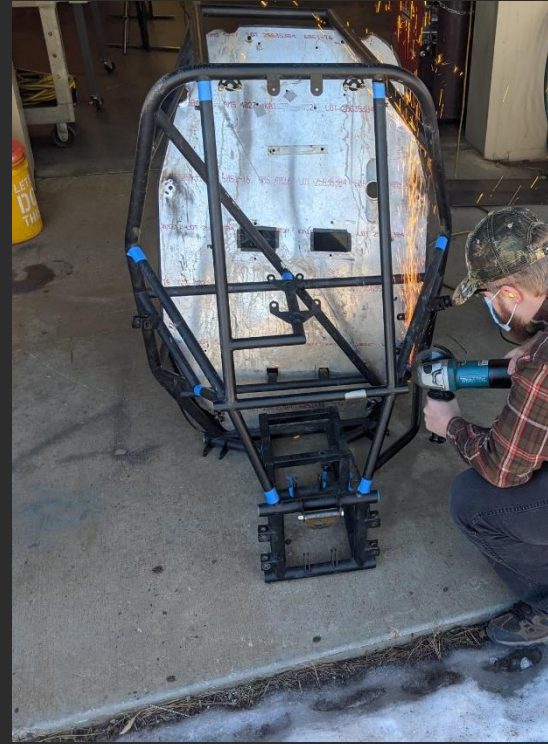
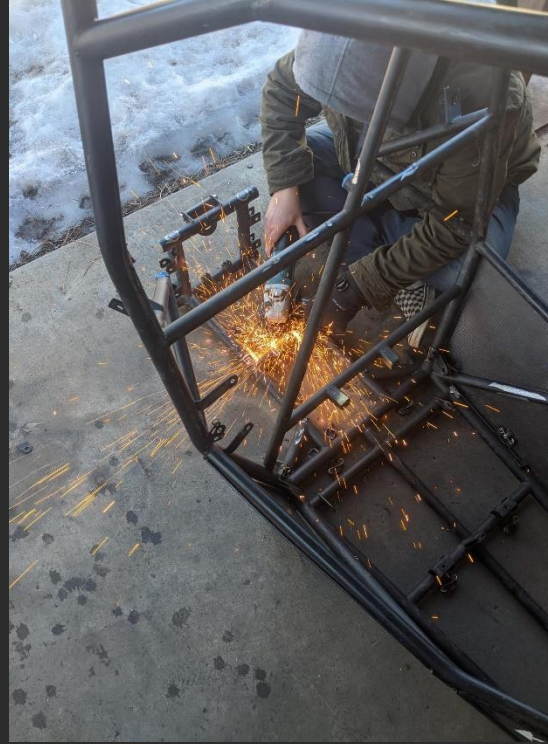
Remaining of Budget: \$1,606

Wheels	BBWheelsOnline.com	\$150	Already have/ Buy			Will Purchase
Tires	Walmart.com	\$140	Already have/ Buy			Will Purchase
T Junctions x2	Amazon.com	\$12	Buy			Will Purchase
Rivets	Amazon.com	\$23	Buy			Will Purchase
Socket Cap Screws	Fastenal.com	\$5.37	Buy			Will Purchase
Hex Head Screws	McMaster.com	\$7.26	Buy			Will Purchase
O-Rings	McMaster.com	\$7.61	Buy			Will Purchase
Flat washers	Fastenal.com	\$1.61	Buy			Will Purchase
Swivel Joint Bearings	Amazon	\$77.96	Buy			Will Purchase
Driveshaft	Amazon.com	\$13	Buy			Will Purchase
Axles	Amazon.com	\$480	Buy			Will Purchase
Firewall		\$0	Buy			Will Purchase
Battery Casing material			Buy			Will Purchase
Rear Plate			Buy			Will Purchase
Bearings			Buy			Will Purchase
Snap rings			Buy			Will Purchase
4130 Bar stock			Buy			Will Purchase
CVT Axles			Buy			Will Purchase
Rear Wheel Hubs	PowerSportsID	\$106.60	Buy			Will Purchase
Rear Knuckle Material			Buy			Will Purchase
U Joint		\$95	Buy			Will Purchase

Bill of Materials	Primary Vendor	Cost	Make/Buy/Have	Manufacture	Lead Time	Part Status
Air intake		\$0	Already have			In House
Upper Control Arm		\$0	Already have			Assembled
Lower Control Arm		\$0	Already have			Assembled
Shocks		\$0	Already have			Assembled
Hex Head Screws	McMaster.com	\$7.26	Already Have			In House
Socket Cap Screws	Fastenal.com	\$5.37	Already Have			In House
Lock Nuts	Fastenal.com	\$1.98	Already Have			In House
Hex Nuts	Fastenal.com	\$0.63	Already Have			In House
Eye Bolts		\$0	Already have			Assembled
Swivel Joint Bearings	Amazon.com	\$77.96	Already have			In House
O-Rings	McMaster.com	\$7.61	Already Have			In House
Flat Washers	Fastenal.com	\$1.61	Already Have			In House
Knuckles		\$0	Already have			
Brake pedal		\$0	Already have			In House
Gas Pedal		\$0	Already have			In House
Rotors		\$0	Already have			In House
Brake pads		\$0	Already have			In House
Brake Calipers		\$0	Already have			In House
Emergency Brake Pedal		\$0	Already have			In House
Locking Pins		\$0	Already have			Assembled
Rear Trailing Arm Suspensions		\$0	Already have			Assembled
Eye Bolts		\$0	Already have			Assembled
Tie Rods		\$0	Already have			Assembled
Rotors		\$0	Already have			In House
Brake Pads		\$0	Already have			In House
Brake Calipers		\$0	Already have			In House
Brake Lines		\$0	Already have			In House
Shocks		\$0	Already have			Assembled
Knuckles		\$0	Already have			Assembled
Front Hubs		\$384	Already have			In House
Master Cylinder	HayesPerformance.com	\$150	Already have			In House
Spindles		\$131	Already have			Assembled
Steering Box		\$354	Already have			In order
Bearing Cup		\$15.44	Already have			In Order
Safety Harness		\$40.99	Already have			In Order
Liquid Rubber		\$29.98	Already have			In order

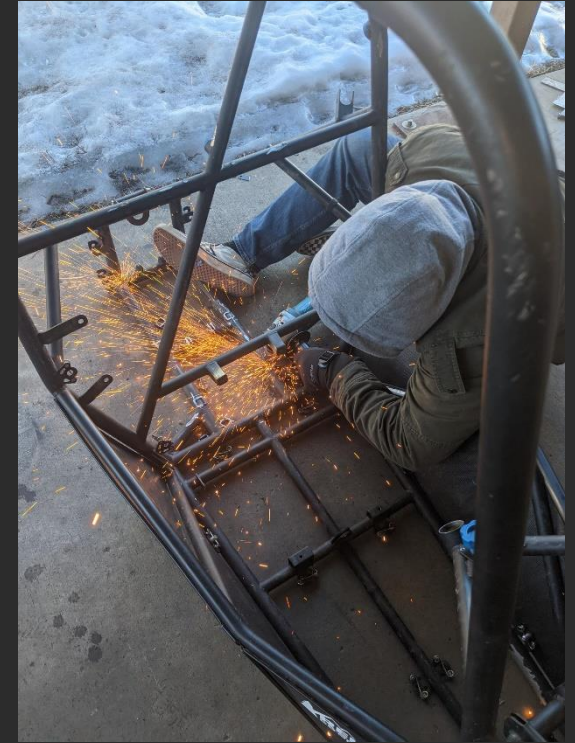
Manufacturing Plan						
Part Name	Cost	Fabrication Status	Manufacturer	Location	Time to Manufacture	Material
Bushings	\$0	Completed	eBaja Team	Machine Shop	2 days	Steel
High Misalignment Spacers	\$0	In Progress	eBaja Team	Machine Shop	3 days	Steel
Frame	\$150	In Progress	eBaja Team	Machine Shop	2 weeks	4340 Steel Pipe
Control Arm	\$20	In Progress	eBaja Team	Machine Shop	1 week	4340 Steel Pipe
Dashboard	\$10	In Progress	eBaja Team	Machine Shop	2 days	Plywood/Aluminum, rubber
Front Knuckle Assembly	0	In Progress	eBaja Team	Machine Shop	2 hours	Steel
Steering Wheel	\$20	Not Yet Started	Maker Lab	Cline Library	4 days	ABS Plastic
Top Panel	\$50	Not Yet Started	TBD	TBD	TBD	Carbon Fiber or kevlar
Side Panel	\$100	Not Yet Started	TBD	TBD	TBD	Carbon Fiber or kevlar
Brake Mount	\$10	Not Yet Started	eBaja Team	Machine Shop	1 day	1/8" steel plate
Gearbox casing	\$500	Not Yet Started	eBaja Team	Machine Shop	2-3 days	6061 T6 Aluminum
Gearbox/Motor Mount	\$20	Not Yet Started	eBaja Team	Machine Shop	1 day	Steel plate
Battery Casing	\$50	Not Yet Started	eBaja Team	Machine Shop	2-3 days	Steel plate, rubberised chain
Firewall	\$10	Not Yet Started	eBaja Team	Machine Shop	3-4 hours	Steel, Rubber
Rear knuckles	\$120	Not Yet Started	eBaja Team	Machine Shop	2-3 days	6061 T6 Aluminum
Rear Plate	\$100	Not Yet Started	eBaja Team	Machine Shop	3 days	Steel Plate

MANUFACTURING PLAN

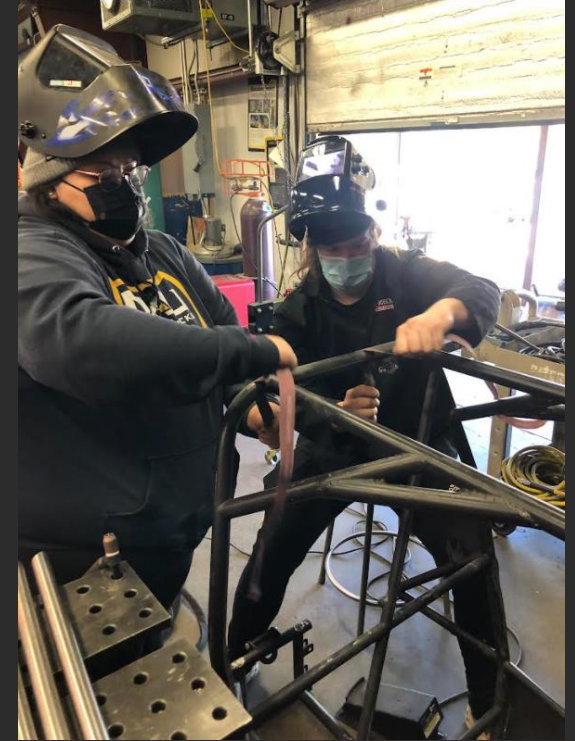


DEMONSTRATION

Abriana Romero
21F13 02/08/22



DEMONSTRATION



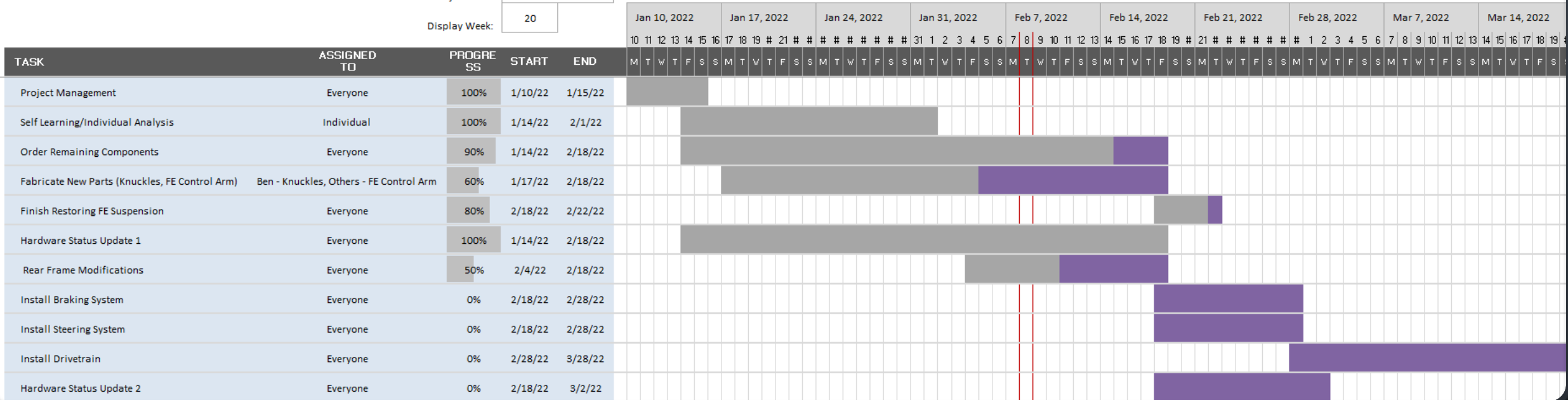
DEMONSTRATION

Benjamin Plis
21F13 02/08/22

Company Name
 Project Lead

Project Start:

Display Week:



GANTT CHART

QUESTIONS?